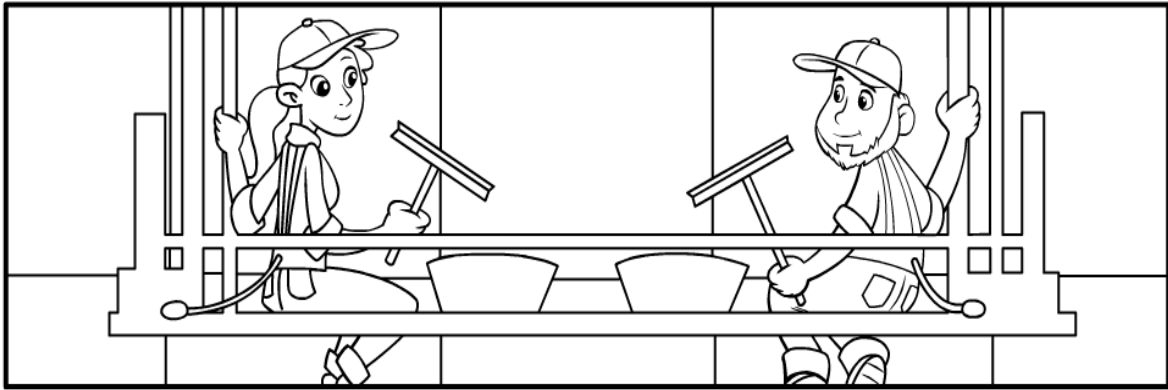


Name _____

Find the first number on the hundred chart. Count down by tens and over by ones to add the next number. Write the sum. Match the letters and the numbers to solve the riddle.



1	2	3	4	5	6	7	8	9	10
11	12	13	14	15	16	17	18	19	20
21	22	23	24	25	26	27	28	29	30
31	32	33	34	35	36	37	38	39	40
41	42	43	44	45	46	47	48	49	50
51	52	53	54	55	56	57	58	59	60
61	32	63	64	65	66	67	68	69	70
71	72	73	74	75	76	77	78	79	80
81	82	83	84	85	86	87	88	89	90
91	92	93	94	95	96	97	98	99	100

1. $13 + 23 = \underline{36}$ R

2. $21 + 32 = \underline{\quad}$ O

3. $17 + 41 = \underline{\quad}$ H

4. $73 + 15 = \underline{\quad}$ M

5. $38 + 60 = \underline{\quad}$ S

6. $78 + 11 = \underline{\quad}$ O

7. $44 + 32 = \underline{\quad}$ M

8. $11 + 83 = \underline{\quad}$ U

What kind of room can you never go into?

88 94 98 58 36 89 53 76

Answer Key 1. 36 2. 53 3. 58 4. 88 5. 98 6. 89 7. 76 8. 94 Mushroom